

1150EVO



TrenchIntel

TrenchIntel
DGPS guidance system:
 Extra high precision 3D GPS system
 Automatic depth and grade control
 Autosteering to a predefined path
 Pass optimization and fleet control



TrenchTronic

TrenchTronic 5.0
Electronic Control with:
 Operator selectable digging pressure and automatic operation
 Fully automatic operation
 Remote diagnostic system



Re.M
Remote Control with:
 Machine data remote monitoring
 Fleet location management
 Troubleshooting information
 Operating conditions



TRENCHING DIMENSIONS

DOWN-CUTTING

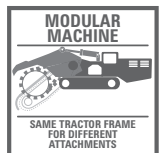


UP-CUTTING



FEATURES AND APPLICATIONS

The Rock Hawk version of the 1150EVO model has been designed for continuous surface mining; its 10' 6" (320 cm) wide drum is employed in bulk-excavations projects and open-pit quarries. Elevating cab, hydraulic stabilizers and TrenchTronic 5.0 equipped. It can work up-cutting or down-cutting by simply changing the attachment.



BULK EXCAVATION WORKS



RAILWAY SOIL PREPARATION



SOIL RECLAMATION



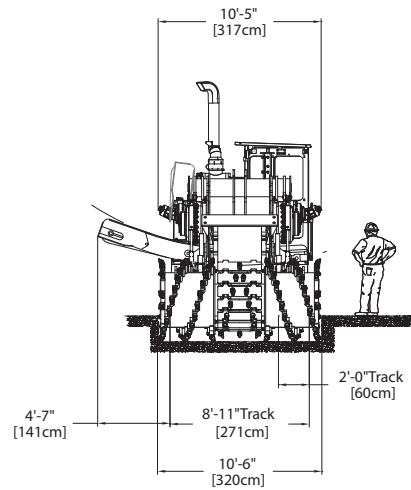
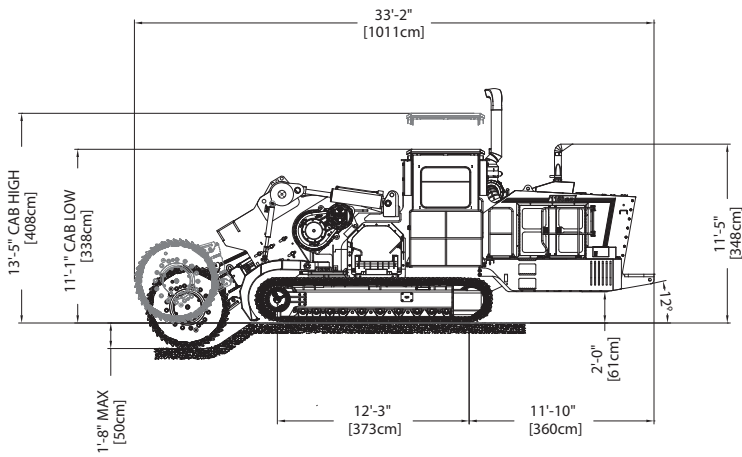
TUNNEL WORKS



SURFACE MINING



CHANNEL EXCAVATION



UP-CUTTING CONFIGURATION SHOWN

1150EVO ROCK HAWG TECHNICAL SPECIFICATIONS

Standard Features

Pressurized cab with air conditioning, heating, sound suppression

Elevating cab module with Roll-Over Protective Structure (ROPS) and Falling Object Protective Structure (FOPS)

Electrical system: 24 V

Stabilizers with adjustable drags

Fuel and hydraulic tank: aircraft quality locking caps

Gearboxes, fuel and hydraulic tanks: pressurized with 5 psi (0.3 bar) filtered breathers

Vibration isolator mounts: used on engine, radiator, oil cooler, exhaust silencer and cab

Cab and compartment security locks

Trenching Dimensions

Excavation width.....10' 6" (320 cm)

Excavation depths range.....0-1' 8" (0-50 cm)

Note: dependent on configuration and options

Engine

HIGHLY REGULATED COUNTRIES (EU, USA)

Model.....Cummins X12 EPA Tier 4 final/ Stage V

Max horsepower.....451 hp (336 kW)

Max no load rpm.....1.850 rpm

Fuel tank capacity.....358 gal (1355 l)

Urea tank capacity.....30 gal (113 l)

Fuel consumption.....21,5 gal/hr (81 l/hr) at full load

Estimated max urea consumption at full load.....

.....4% of fuel consumption

Cooling rating adequate for 122° F (50° C) ambient air temperature

Air cleaner: dry type, 2 stages with pre-cleaner and automatic dust ejection

LESSER REGULATED COUNTRIES

Model.....CAT C13 ACERT Tier 3

Max horsepower.....440 hp (328 kW)

Max no load rpm.....2.100 rpm

Fuel tank capacity.....324 gal (1.230 l)

Fuel consumption.....23 gal/hr (87 l/hr) at full load

Cooling rating adequate for 122° F (50° C) ambient air temperature

Air cleaner: dry type, 2 stages with pre-cleaner and automatic dust ejection

Operating and Transport Weight

Weight.....127,867-131,615 lbs (58.000-59.700 kg)

Ground pressure.....18.4-19.0 psi (1.30-1.33 kg/cm²)

Note: dependent on configuration and options

Trencher Drive

Hydrostatic: two pumps and two motors capable of transmitting full engine horsepower in the digging drum speed range from 395 FPM (120 m/min) up to 790 FPM (241 m/min)

Flywheel gearboxes: shaved, helical gearing, case hardened for extreme shock load

Infinitely variable drum speed.....

.....0-790 FPM (0-241 m/min)

Digging chain: CAT 54/345 or equivalent

Cutters: rotary carbide tipped 1 1/2" (3.81 cm) shank diameter 3" (7.62 cm) gage

Drum tool tip diameter: 5'4" (163.5 cm)

Hydraulic digging chain adjustment

Crawler Drive

Dual path, hydrostatic drive, planetary transmissions capable of full counter rotation with single lever steering, single lever direction

Infinitely variable speed: forward and reverse

• High range.....0-2.05 mph (0-3,3 km/hr)

• Low range.....0-0.93 mph (0-1,5 km/hr)

Integral parking and service brake: spring applied, hydraulic release, wet disc brake

Tracks

Overall track length.....12' 5" (378 cm)

Track pad type: single, double or triple grouser

Track chain type: Caterpillar 42/325 or equivalent

Track pad width.....1' 11" (60 cm)

Hydraulic Transmission

Pressure and flow compensated (Load sensing)

Auxiliary pump flow maximum.....66 gpm (250 l/min)

Auxiliary pressure setting.....2.500 psi (172 bar)

Oil tank capacity.....104 gal (394 l)

Cross Conveyor (on up-cutting only)

Pressure and flow compensated pump with dual hydraulic drive motors

Reversible and shiftable

Belt speed infinitely variable.....0-750 fpm (0-229 m/min)

Discharge direction: right or left

Conveyor belt width.....2' 6" (76 cm)

Conveyor length.....13' 8" (416 cm)

Discharge height.....4'1" - 5'11" (124-181 cm)

Transport Dimensions

Length.....34' 4" (1045 cm)

Width*.....10' 6" (320 cm)

Height with cab.....11' 5" (348 cm)

*Width can be reduced to 9' 10" (300 cm) dismounting the drum

Main Available Devices

Ask Tesmec for a complete devices list